

HRF-M Series

Medium Duty Foot Switches

- Suitable for general applications (medical, beauty etc.)
- 24K gold plated built-in switch
- Various designs & functions available

Specifications



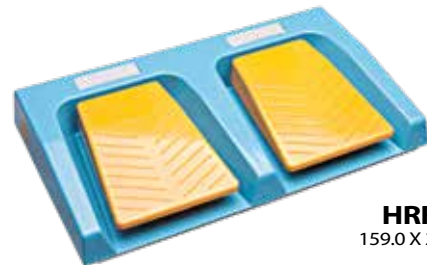
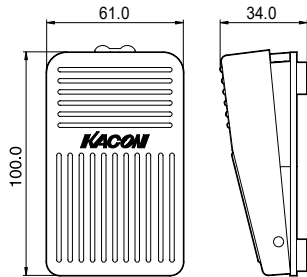
	M1	M2	MX1	MD2	MD23	MD2S	MD3	MD4	M5	M8	M52	M6	
Contact	1NO	SPDT (1NO + 1NC)							1NO	1NO x 2ea			
Rated Current	16A 250VAC									5A 250VAC	16A 250VAC		
Built-in Switch	V type micro switch (UL, CUL, VDE, CE Certified) + 24K gold plated									KMS-F Molding type	V type Micro Switch (UL, cUL, CE Certified) + 24K gold plated		
Body Material	Plastic	Steel	Aluminum Die cast						Plastic				
Function	Momentary				Maintained			Momentary					
Degree of Protection	IP54								IP68		IP65		
Cable	0.75 mm ² x 3 line cables x 2 m		0.5mm ² x 3 lines x 2m						0.5mm ² x 2 lines x 2m		0.5mm ² x 4 lines x 2m		

Plastic Housing (Unit: mm)



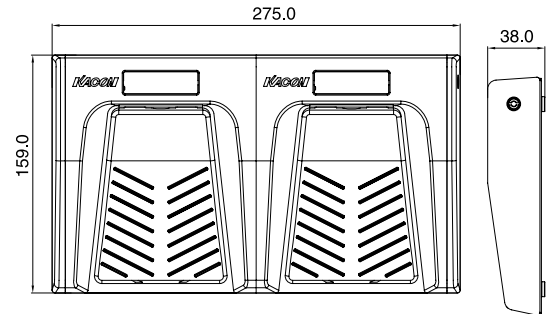
HRF-M1

100.0 X 61.0 X 34.0



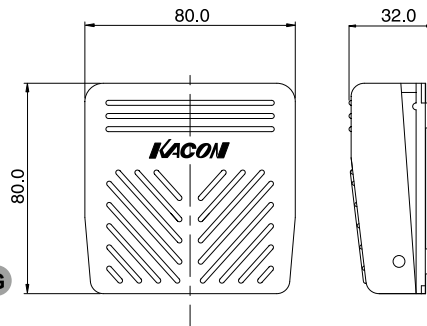
HRF-M52

159.0 X 275.0 X 38.0



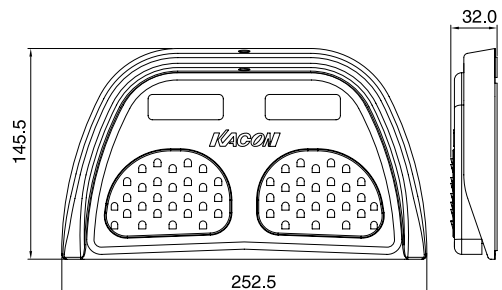
HRF-M2

85.0 X 80.0 X 32.0



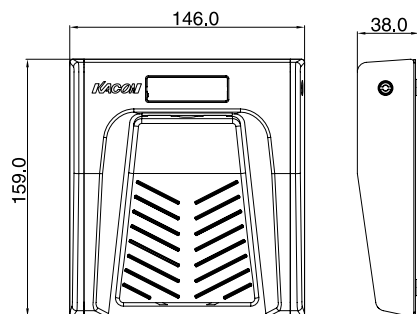
HRF-M6

145.0 X 252.5 X 32.0



HRF-M5

159.0 X 146.0 X 38.0

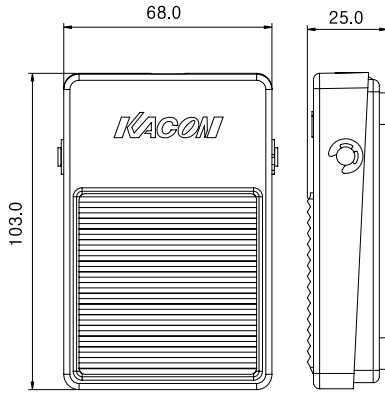


Metal Housing

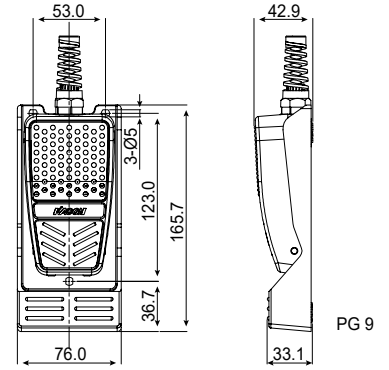
(Unit: mm)



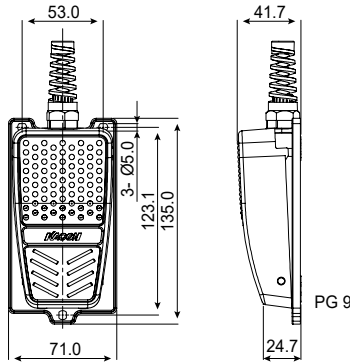
HRF-MX1
103.0 X 68.0 X 25.0



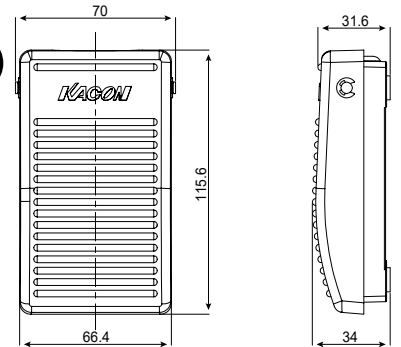
HRF-MD2S
165.7 X 76.0 X 42.9



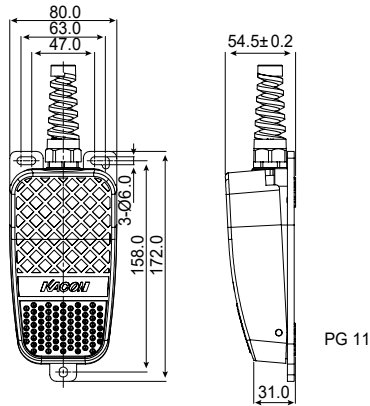
HRF-MD2
HRF-MD23 (Maintained)
135.0 X 71.0 X 41.7



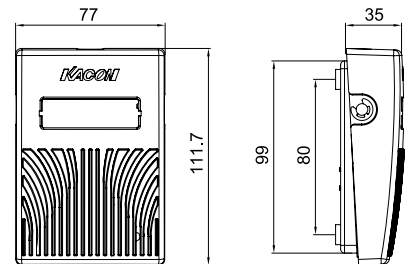
HRF-MD4
115.6 X 70.0 X 34.0



HRF-MD3
172.0 X 80.0 X 54.5

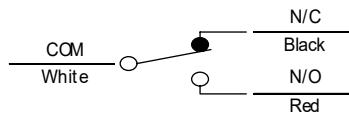


HRF-M8
111.7 X 77.0 X 35.0

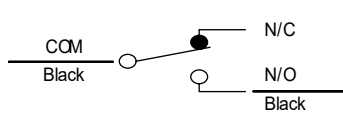


Contact Diagram

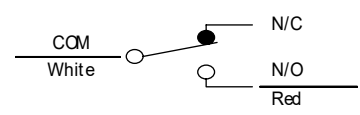
1C (1NO + 1NC)



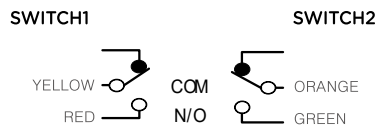
1NO(M1)



1NO(M5,M8)



1NO x 2ea (M52)



1NO x 2ea (M6)

