

MT5C/8C Series

Ø56mm/Ø85mm Bulb Type Tower Light



- Optional LED bulbs available
- Selectable Steady or Flashing Modes
- Prism-cut lenses for even light distribution
- Various mounting options
- Optial buzzer (80 dB) kit available



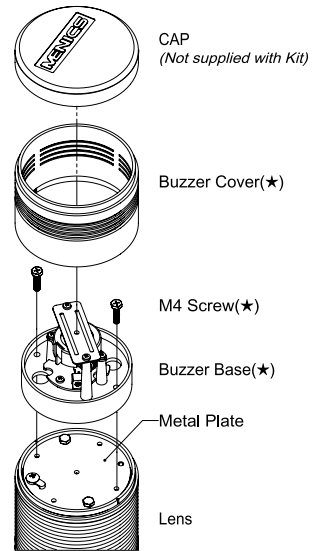
Ordering Information

MT	5	C	5	A	L	-	RYGBC
	①	②	③	④	⑤		⑥
Lens Diameter	5	Ø56mm					
	8	Ø85mm					
Light Style	C		Steady & Flashing				
Number of Stacks	1	1 Light					
	2	2 Lights					
	3	3 Lights					
	4	4 Lights					
	5	5 Lights					
Power Supply	A	24V AC/DC					
	B	110~120V AC					
	C	220~240V AC					
Connection	L		Lead Wires				
Lens Colors (top to bottom)	R	Red					
	Y	Yellow					
	G	Green					
	B	Blue					
	C	Clear					

Specifications

Power Supply		24VAC/DC (w/Buzzer)	110VAC (w/Buzzer)	220VAC (w/Buzzer)	
Current Consumption (RMS ±10%)	Bulb	1 Stack	0.4 A (0.43A)	0.09 A (0.12A)	0.04 A (0.07A)
	2 Stack	0.8 A (0.83A)	0.18 A (0.21A)	0.08 A (0.11A)	
	3 Stack	1.3 A (1.33A)	0.27 A (0.30A)	0.12 A (0.15A)	
	4 Stack	1.7 A (7.73A)	0.36 A (0.39A)	0.16 A (0.19A)	
	5 Stack	2.0 A (2.03A)	0.45 A (0.48A)	0.20 A (0.23A)	
LED Life-Span		10,000 hours (minimum)			
Degree of Protection		IP54 (IP50 with buzzer)			
Alarm Sound Level		80 ± 5dB at 1 meter			
Flashing rate		80 ± 10 times/minute			
Certificate/compliance		UL, CE, RoHS			
Vibration		3mm at 10~55Hz			
Ambient Temp.		-15°C~40°C			
Ambient Humidity		45~85% RH			
Recommended Wire Size		1007 UL / 22 AWG			
Operation		Steady/Flashing/Buzzer			

Optional Buzzer Kit



MPZ - 56 A
① ②

① Buzzer Size (Diameter)	
56	Ø56mm (for MT5C Series)
85	Ø85mm (for MT8C Series)

② Power Supply	
A	24V AC/DC, 80dB (30mA)
B	110~120V AC, 80dB (30mA)
C	220~240V AC, 80dB (30mA)

Replacement Parts

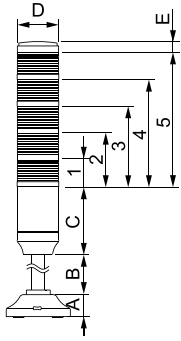
*Note: Max. number of tier including Buzzer is 5.

LED		MAL-T15-D-24-①	24V DC
		MAL-T15-D-120-①	110~120V AC
		MAL-T15-D-220-①	210~240V AC
BULB		MAB-T15-D-024-10	24V AC/DC, 10W
		MAB-T15-D-120-10	110~120V AC, 10W
		MAB-T15-D-240-10	220~240V AC, 10W
Lens	-	MT5-(①)	Ø56mm
		MT8-(①)	Ø85mm

(①): Color of LED or Lens; R, Y, G, B or C

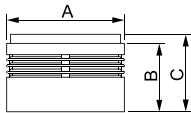
Dimensions

unit: mm



Symbol	Model		
	MT4B	MT5C MT5B	MT8C MT8B
A	29	29	29
B	185	185	185
C	73	95	95
D	45	56	85
E	10.5	15	15
1	46	68	68
2	92	136	136
3	138	204	204
4	184	272	272
5	230	340	340

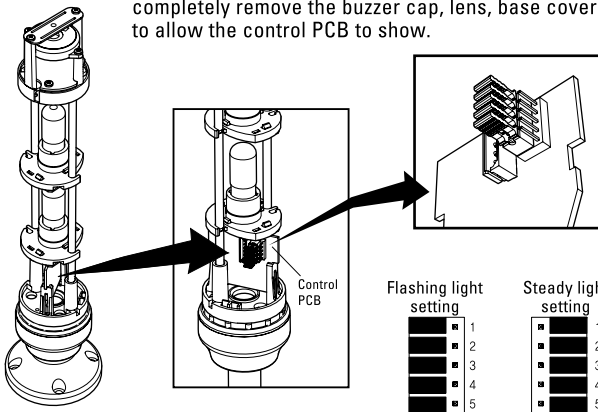
Optional Buzzer Kit MPZ-56 MPZ-85



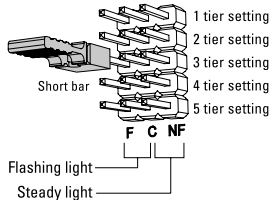
Symbol	MPZ-56	MPZ-85
A	56	86
B	48	50
C	54	56

Lighting feature setting

- ① Remove the bulb by turning the upper fixed cap, and completely remove the buzzer cap, lens, base cover to allow the control PCB to show.



- ② The shortcircuit bar setting position of control PCB for all the shipped products is set at flashing function. In case of changing a signal of desired tier steady light function, take out the shortcircuit bar of the desired tier of the control PCB, move and insert it sideways by one space.



Please See Our "Mounting and Accessories" Section for Mounting Options

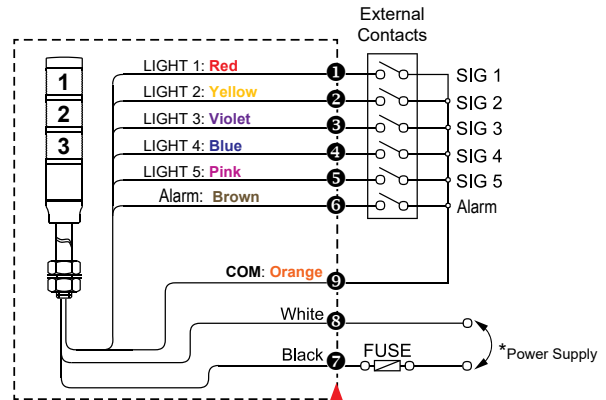
Wiring Diagram

MT5C/8C

24V AC/DC

MT5C□AL-□□□□ MT8C□AL-□□□□

Steady & Flashing (w/Alarm)



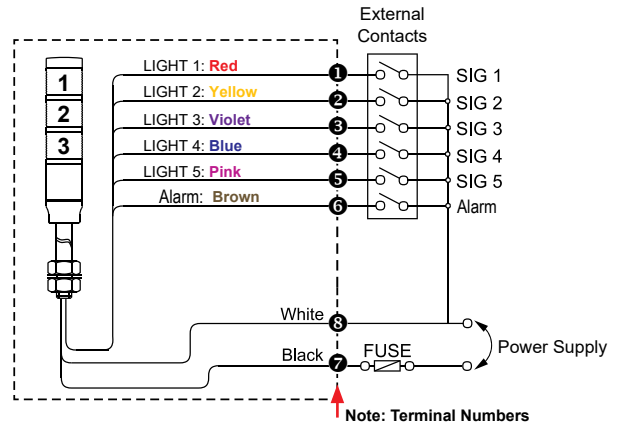
* No polarity for DC applications.

110~120V AC, 220~240V AC

MT5C□BL-□□□□
MT8C□BL-□□□□

Steady & Flashing Lights (w/Alarm)

MT5C□CL-□□□□
MT8C□CL-□□□□



How to change bulbs

