

MZ-7 Series
Micro Switch
◆ Features

- ✓ Micro sized, with Positive Opening contacts
- ✓ IP40, 60, or 67 protection types
- ✓ Quick connect (#110) or cable (AWG20, 0.5m) terminals

◆ Recognition(s)

- ✓ CE – EN60947
- ✓ CSA – 6241 90
- ✓ RoHS Compliant
- ✓ Reach Unaffected

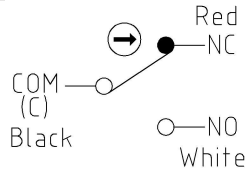

◆ Characteristics

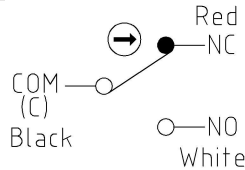
Positive Opening	Electrical Contact	Terminal Type	Contact Form(s)	Poles & Throws	Actuation Sequence(s)
Yes	3 Points	Quick connect (#110) or wire (0.5m)	Form C	SPDT	Break(1) Make(2)

Operating Temp.	AC Rated	DC Rated	IP	Oil Resist	Dust Resist	Water Resist	Operating Speed
-25 to 80 Celsius	0.75A 240V	0.27A 250V	40, 60, 67	Yes or No	Yes or No	Yes or No	0.01mm to 1m/sec

Operation Frequency	Contact Resistance	Insulation Resistance	Vibration
Mechanically: 200/min Electrically: 60/min	100mΩ max. (initial)	100MΩ min. (500VDC)	1.5mm amplitude at 10-55Hz

Storage Humidity	Service Life (min.)	Dielectric Strength
85% RH max	Mechanically: 500,000 operations Electrically: 50,000 operations	1000VAC, 50/60Hz for 1 minute between non-continuous terminals

Recommended tightening forces			Circuitry
Purpose	Screw type	Tightening	
Mounting	M2	0.2 N·m MAX	



◆ Materials

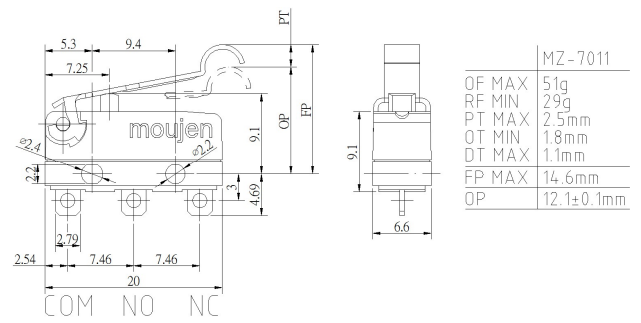
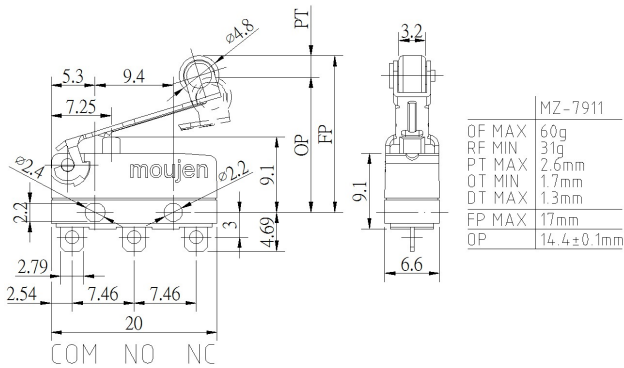
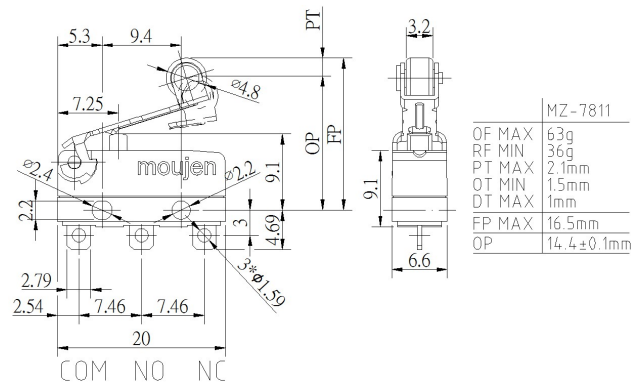
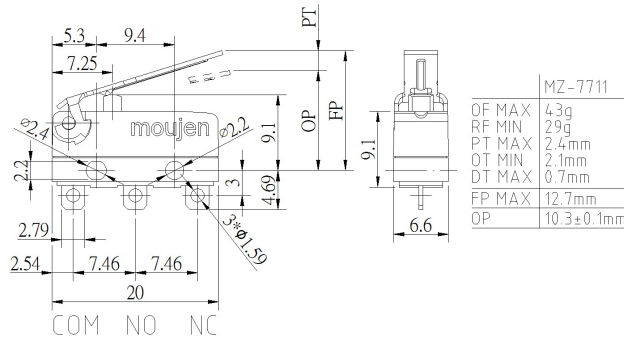
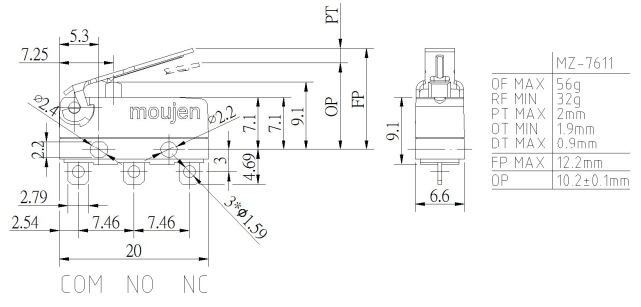
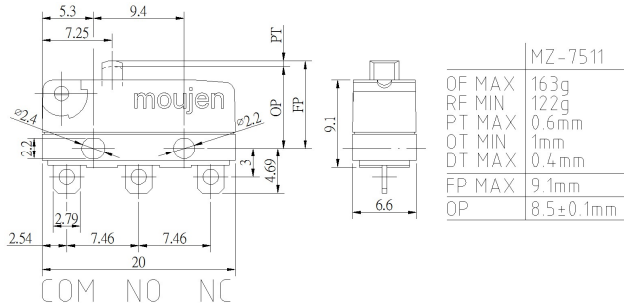
Actuation touch part	Electrical contact point	Enclosure
Stainless Steel SUS304 (Levers), or V-0 PC Plastic (Plunger), or POM, black (Rollers)	Silver 99.9% or Gold plated silver	PC Plastic

◆ Nomenclature

Series:	Actuator:	Contact material:	IP-rating:	Terminals:	Wire Specification:
MZ - 7	5	1	3	R	U
	5 = V-0 PC plastic plunger 6 = SUS304 Lever 7 = SUS304 Lever, long 8 = POM Roller lever 9 = POM Roller lever, long 0 = SUS304 Simulated roller lever	1=Silver 2=Gold plated silver	1=IP40 2=IP60 3=IP67 4=IP67 with PVC tube	<i>Blank</i> =Quick connect (#110) <small>Only applicable for IP40, IP60</small> 3C Wires R=Right side L=Left side B=Bottom <small>Only applicable for IP67</small>	S=Standard U=UL <small>Only applicable for IP67</small>

MZ-7
◆ Dimensions & Operating Characteristics

*Measurements in millimeters

IP 40 Variants


MZ-7511



MZ-7611



MZ-7711



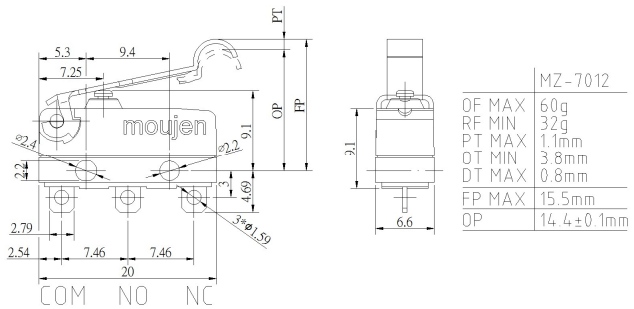
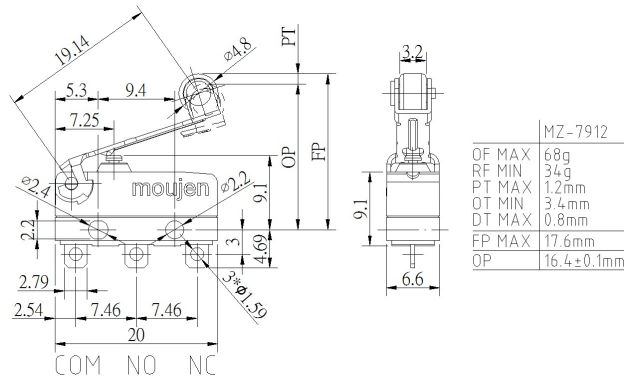
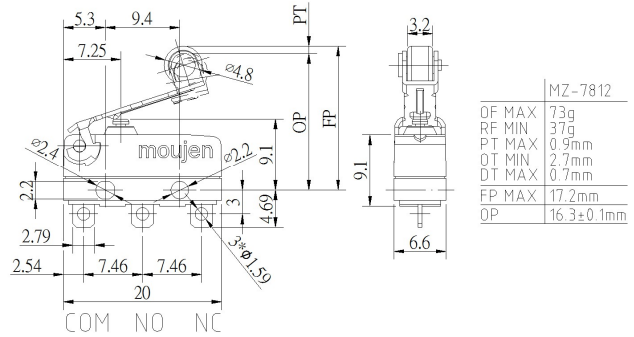
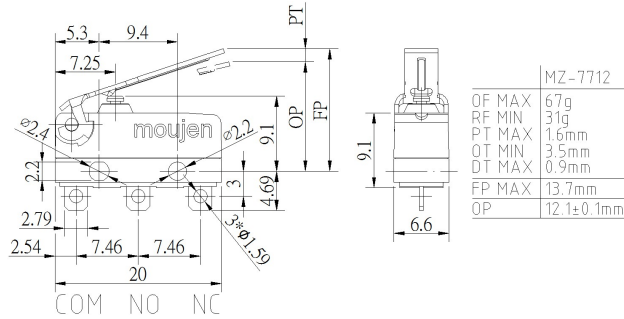
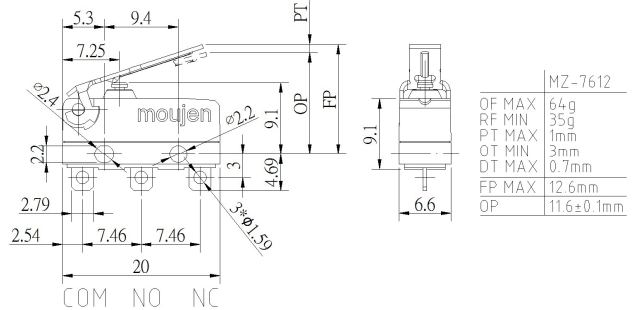
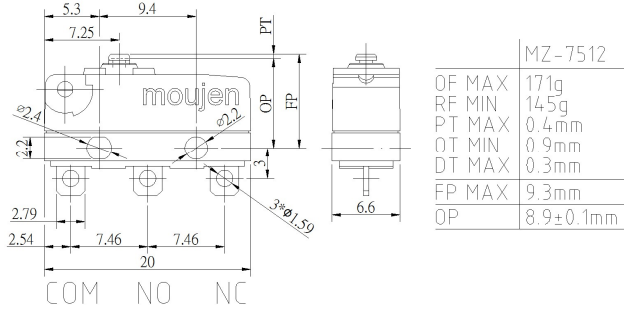
MZ-7811



MZ-7911



MZ-7011

IP 60 Variants


MZ-7512



MZ-7612



MZ-7712



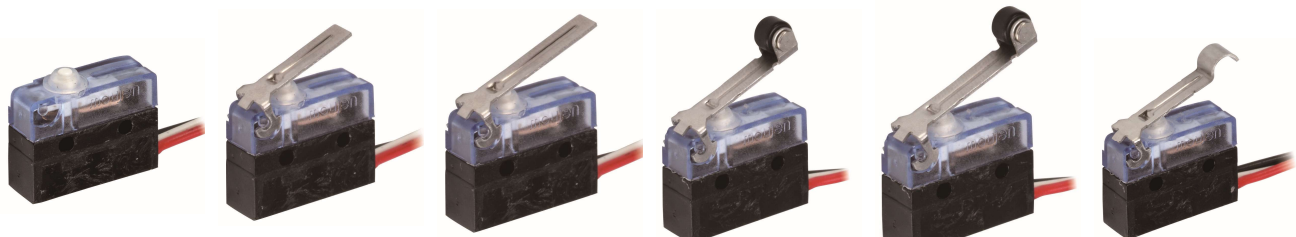
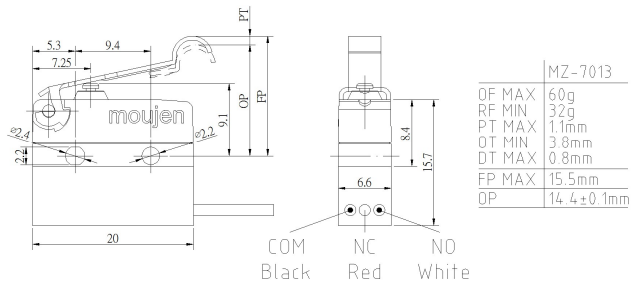
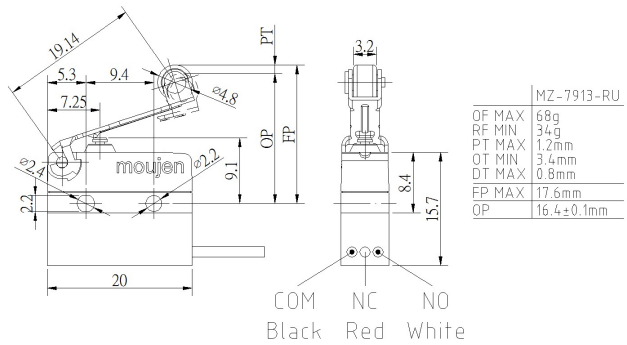
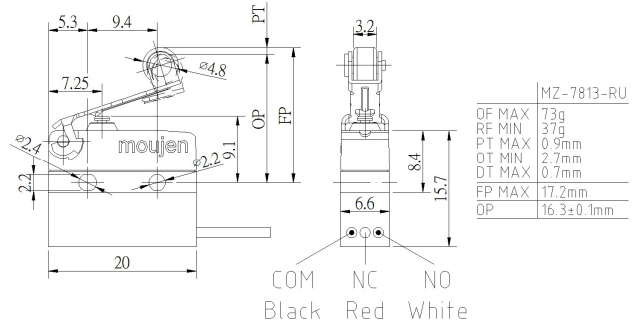
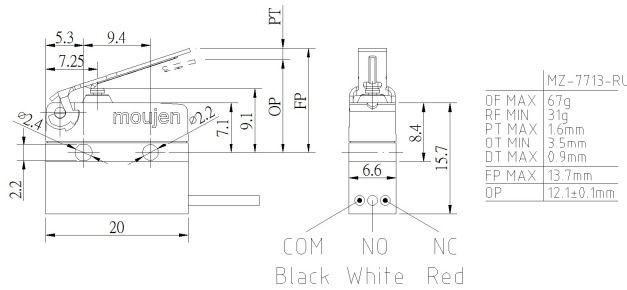
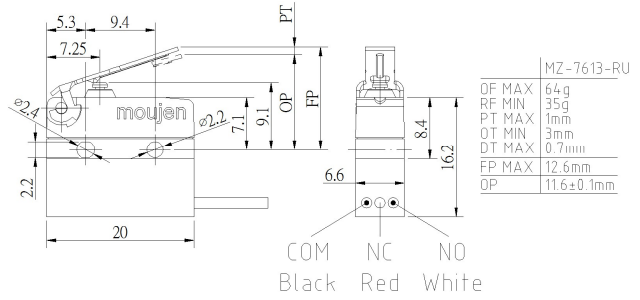
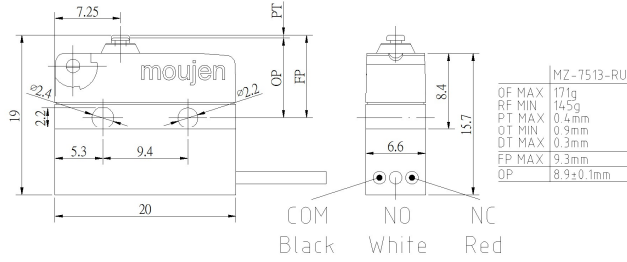
MZ-7812



MZ-7912



MZ-7012

IP 67 Variants (right-side)


MZ-7513-R

MZ-7613-R

MZ-7713-R

MZ-7813-R

MZ-7913-R

MZ-7013-R