

隔離開關/SWITCH DISCONNECTOR (ISOLATOR)

型號說明：
Model Designation



NDS-40 3P5DL1-B

1 2 3 4 5 6

1.容量(Capacity) 3.型式(Type)

20	25A
30	32A
40	40A
60	63A
80	80A
100	100A

G5	Padlockable Handle with Φ22 Hole 可附鎖圓柄 (67x67mm) Applicable for NDS-20D~100D, NDS-20P~40P
G4	Padlockable Handle with Φ22 Hole 可附鎖短柄 (48x48mm) Applicable for NDS-20D~100D, NDS-20P~40P
P5	Padlockable Handle with Screw Fix 可附鎖圓柄 (65x65mm) Applicable for NDS-20D~100D, NDS-20P~40P, NDS-60P~100P

5.四方柱長度(mm) Shaft Length (mm)

L1	150
L2	200
L3	300
L4	330
BX	Yellow Cover Black Base 黃蓋黑下座
AX	Gray Cover Black Base 灰蓋黑下座

2.極數(Poles)

3	3 Pole
4	4 Pole (3P+N)

4.安裝方式 (Mounting / Construction)

D	Base and DIN-rail mounting, front operated 底板和鋁軌安裝
P	Panel mounting (Door mounting) 面板式安裝

6.顏色(Color)

None	Red Handle 紅色手柄
B	Black Handle 黑色手柄

規格(Specification) :

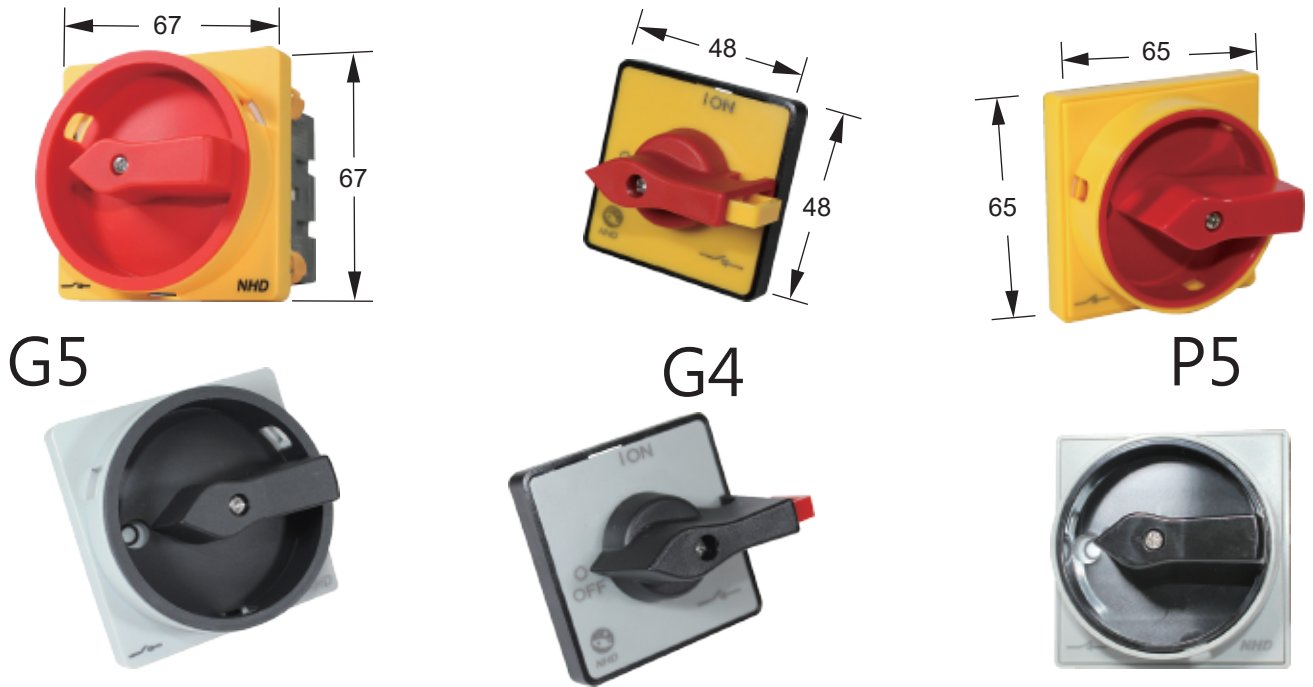
* NDS-60.80.100 Gray Box Only
NDS-60.80.100 塑膠盒為灰色

		Unit		Switch type											
				NDS-20			NDS-30			NDS-40					
絕緣耐壓 Insulation and Operation Voltage (Ui)		V		690			690			690					
連續電流 Rated Thermal Current (Ith)		A		25			32			40					
AC3 Max. horsepower rating/ motor FLA current	Three phase	220~240V	KW	HP	A	3.7	5	15.2	5.5	7.5	22	7.5	10	28	
		380~440V	KW	HP	A	7.5	10	14	11	15	21	15	20	27	
	Single phase	660~690V	KW	HP	A	7.5	10	11	15	20	22	15	20	22	
		120V	KW	HP	A	0.75	1	16	1	1.5	20	1.5	2	24	
	240V	KW	HP	A	1.5	2	12	2.2	3	17	3.7	5	28		
Rated operational current, AC-21A		A		16			25			40					
Rated operational current, AC-23A		220~240V			16			20			23				
		380~440V	A		16			20			23				
		660~690V			10			11			15				
介電強度 Dielectric strength		50Hz 1min.	kV		6			6			6				
額定耐衝擊電壓 Impulse Withstand			kV		8			8			8				
工作環境溫度 Operating Temperature		℃		-20~+80											
工作環境濕度 Operating Humidity		%		48~+90											
最高海拔 Maximum Elavation		m		2000											
接觸電阻 Contact Resistance		mΩ		50											
絕緣電阻 Insulation Resistance		MΩ		500Vdc / 100MΩ											
切換速度 Switching Speed		ms		0.3											
線徑 Cable Cross Section (Cu)		AWG/mm ²		integrated 18-8 (0.75~10mm ²)											
螺絲扭力 Screw Tightening Torque		lb.in/Nm		7/0.8											
耐震動 Vibration Resistance				50Hz / 0.1mm											
耐衝擊 Impact Resistance				>10G											
端子型式 Terminal Type				歐端/裸銅 Cord End Terminal / Stripped Wire											
防護等級 IP Rating				IP20											
面板防護等級 Panel IP Rating		IP		NEMA 4X(IP66) : G4、G5(UL) IP66 : P5											

隔離開關/SWITCH DISCONNECTOR (ISOLATOR)

面板尺寸(Frame Dimensions) :

單位(Unit) : (mm)



規格(Specification) :

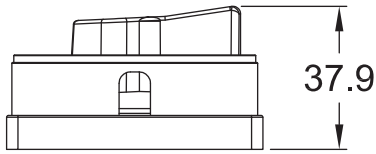
			Unit			Switch type								
						NDS-60			NDS-80			NDS-100		
絕緣耐壓 Insulation and Operation Voltage (Ui)			V			690			690			690		
連續電流 Rated Thermal Current (Ith)			A			63			80			100		
AC3 Max. horsepower rating/ motor FLA current	Three phase	220~240V	KW	HP	A	11	15	42	15	20	54	18	25	68
		380~440V	KW	HP	A	22	30	42	30	40	52	30	40	52
		660~690V	KW	HP	A	22	30	32	30	40	41	30	40	41
	Single phase	120V	KW	HP	A	1.5	2	24	1.5	2	24	2.2	3	34
		240V	KW	HP	A	5.5	7.5	40	7.5	10	50	7.5	10	50
Rated operational current, AC-21A			A			63			80			100		
Rated operational current, AC-23A			A			45			75			80		
						45			65			65		
						20			20			40		
介電強度 Dielectric strength			kV			6			6			6		
額定耐衝擊電壓 Impulse Withstand						8			8			8		
工作環境溫度 Operating Temperature			°C			-20~+80								
工作環境濕度 Operating Humidity			%			48~+90								
最高海拔 Maximum Elavation			m			2000								
接觸電阻 Contact Resistance			mΩ			50								
絕緣電阻 Insulation Resistance			MΩ			500Vdc / 100MΩ								
切換速度 Switching Speed			ms			0.3								
線徑 Cable Cross Section (Cu)			AWG/mm ²			integrated 14-2 (2-30mm ²)								
螺絲扭力 Tightening Torque			lb.in/Nm			25 / 2.8								
耐震動 Vibration Resistance						50Hz /0.1mm								
耐衝擊 Impact Resistance						>10G								
端子型式 Terminal Type						歐端/裸銅 Cord End Terminal / Stripped Wire								
防護等級 IP Rating						IP20								
面板防護等級 Panel IP Rating			IP			NEMA 4X(IP66) : G4、G5(UL) IP66 : P5								

隔離開關/SWITCH DISCONNECTOR(ISOLATOR)

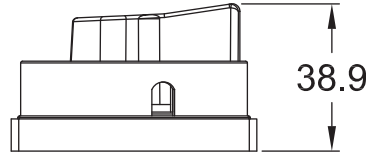
尺寸：
Dimensions

單位(Unit): (mm)

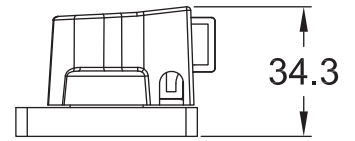
G5



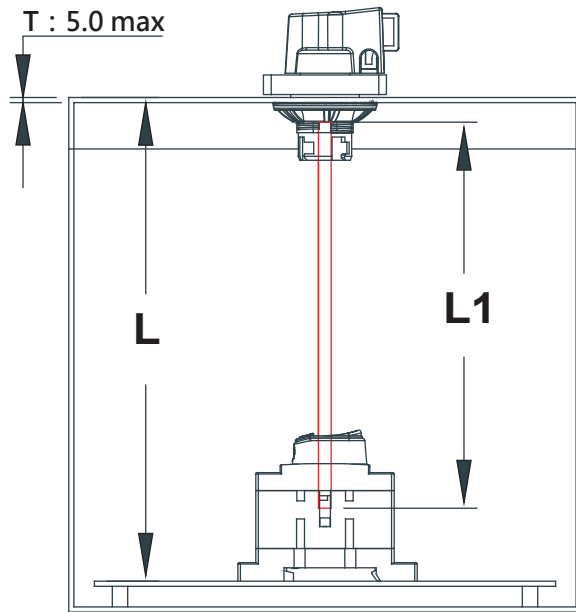
P5



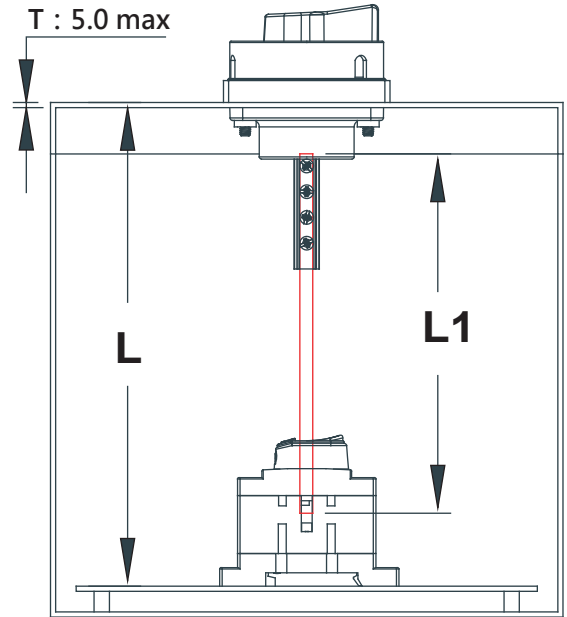
G4



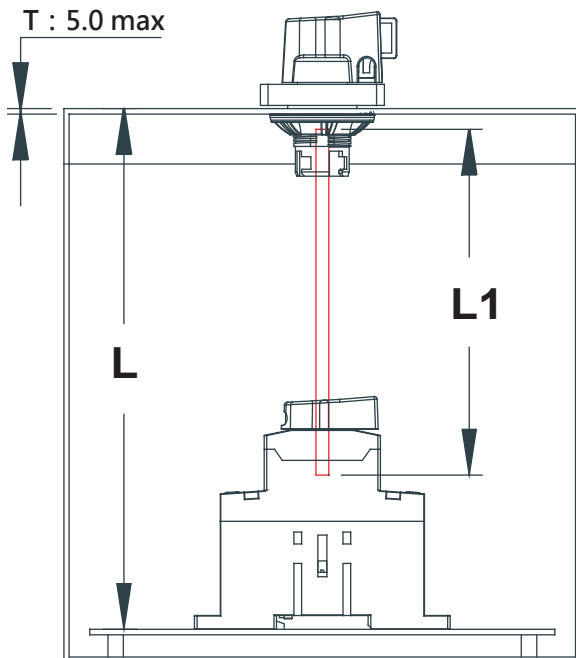
NDS-40+G4(G5)



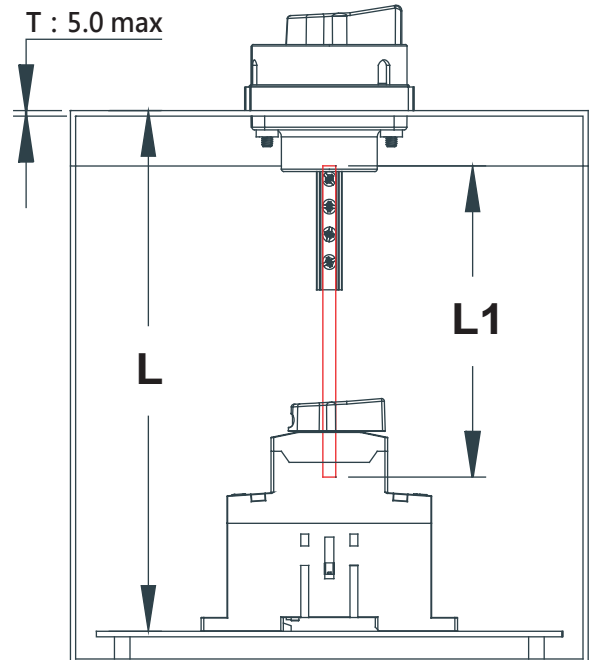
NDS-40+P5



NDS-100+G4(G5)



NDS-100+P5



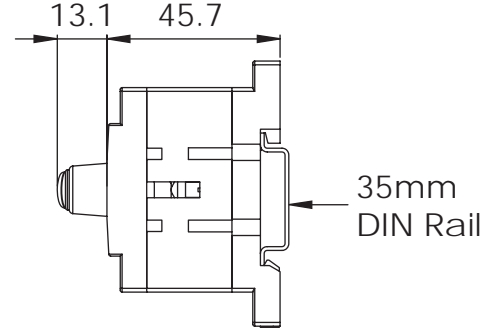
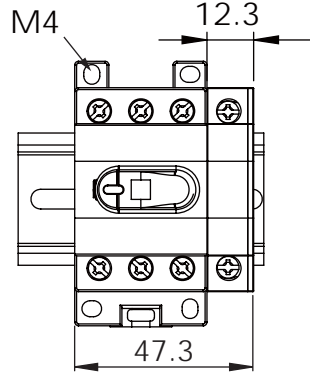
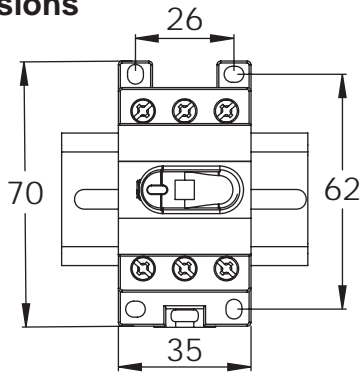
適用箱體深度(mm)=L Applicable Case Depth (mm)=L	NDS-40+G4(G5)	NDS-40+P5	NDS-100+G4(G5)	NDS-100+P5
四方柱長度(mm) = L1 Rotary Shaft Length (mm) = L 1	L - 38 = L1	L - 48 = L1	L - 63 = L1	L - 75.5 = L1

隔離開關/SWITCH DISCONNECTOR (ISOLATOR)

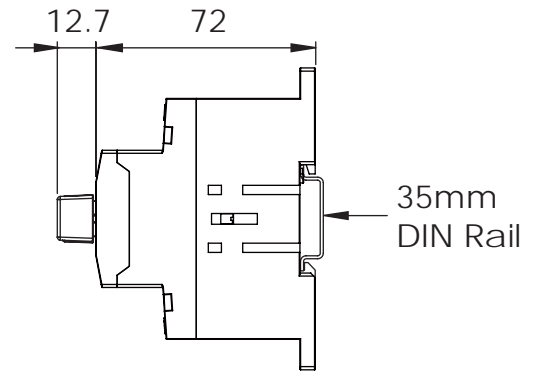
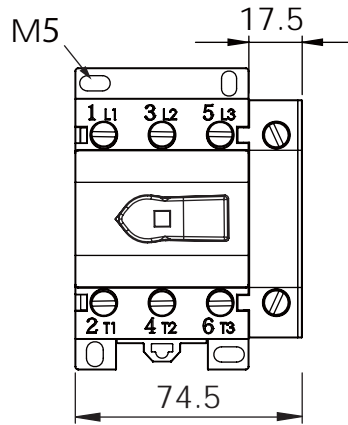
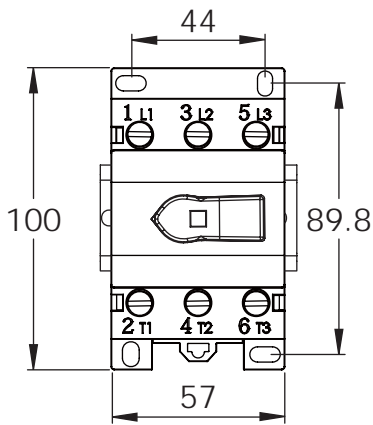
尺寸：

單位(Unit)：(mm)

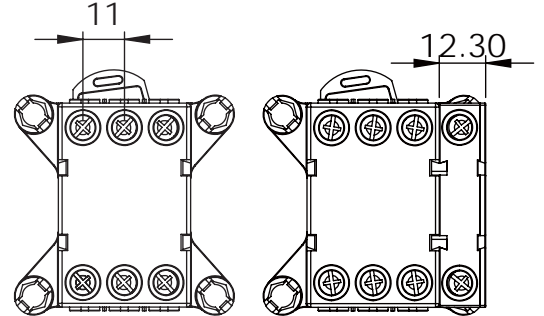
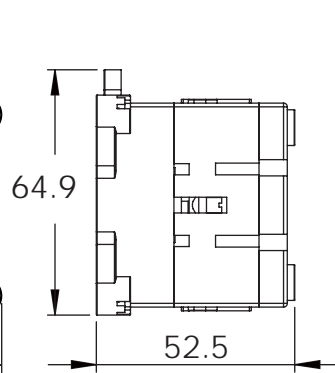
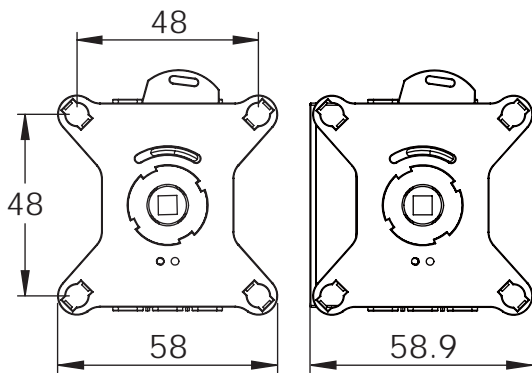
Dimensions



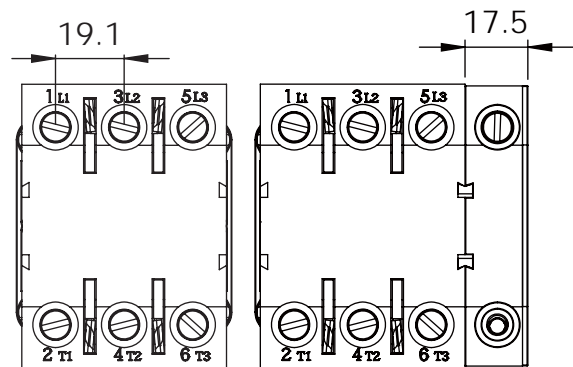
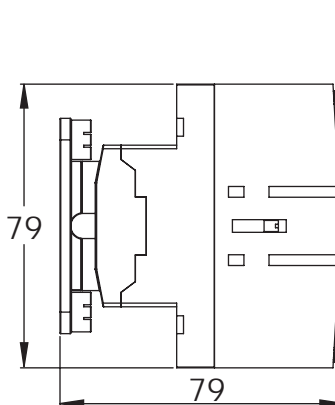
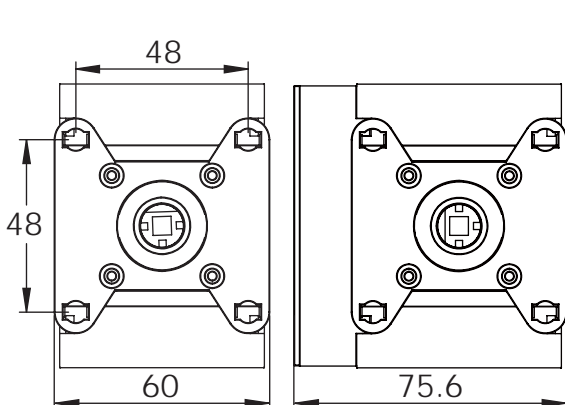
(NDS-20D~NDS-40D) 十字螺絲 PHILLIPS/SLOT.



(NDS-60D~NDS-100D) 一字螺絲 SLOTTED



(NDS-20P~NDS-40P) 十字螺絲 PHILLIPS/SLOT.



(NDS-60P~NDS-100P) 一字螺絲 SLOTTED

隔離開關/SWITCH DISCONNECTOR (ISOLATOR)

安裝方式：
Mounting / Construction

單位(Unit) : (mm)

