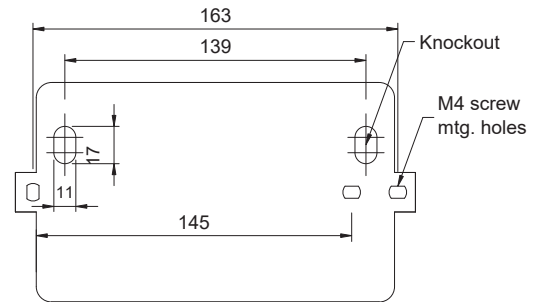
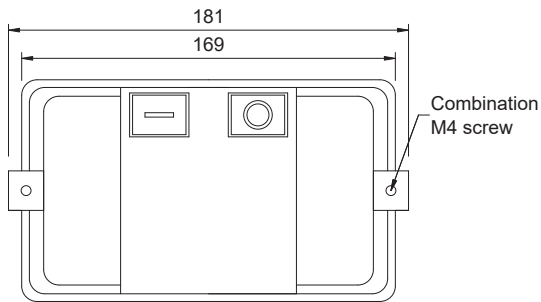
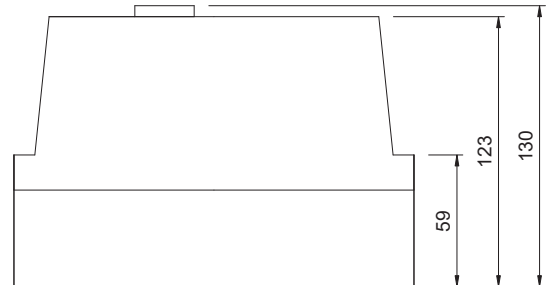
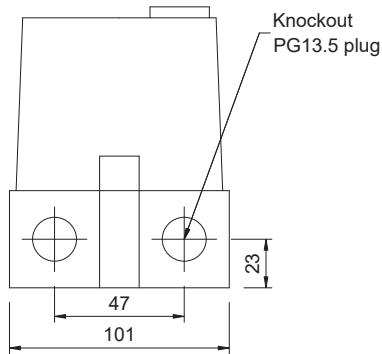


Enclosure of Motor Starters

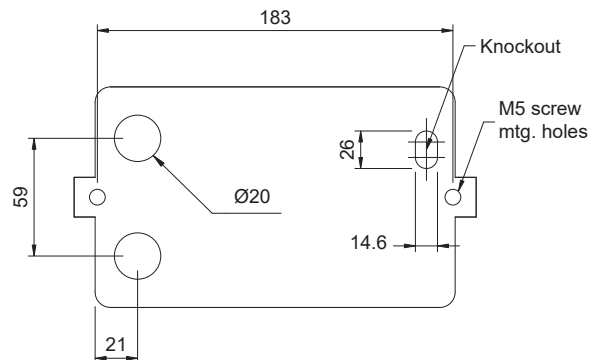
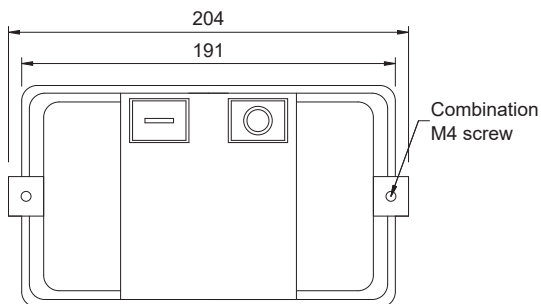
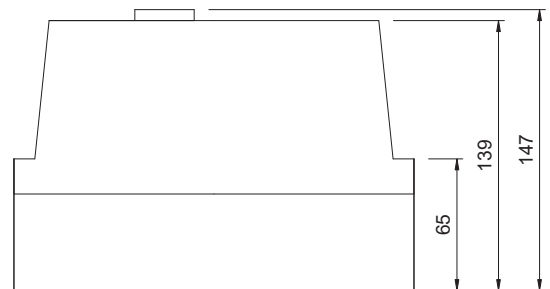
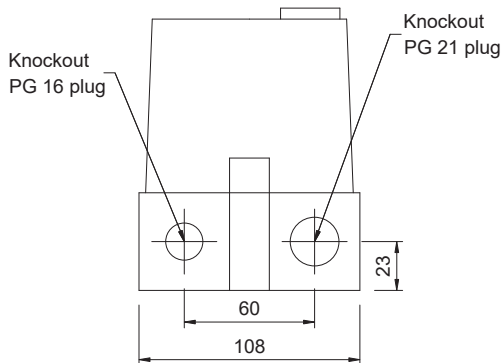
MS1 IP65

Dimensions(mm)

MS1-09D/11D/12D/18D



MS1-25D/35D

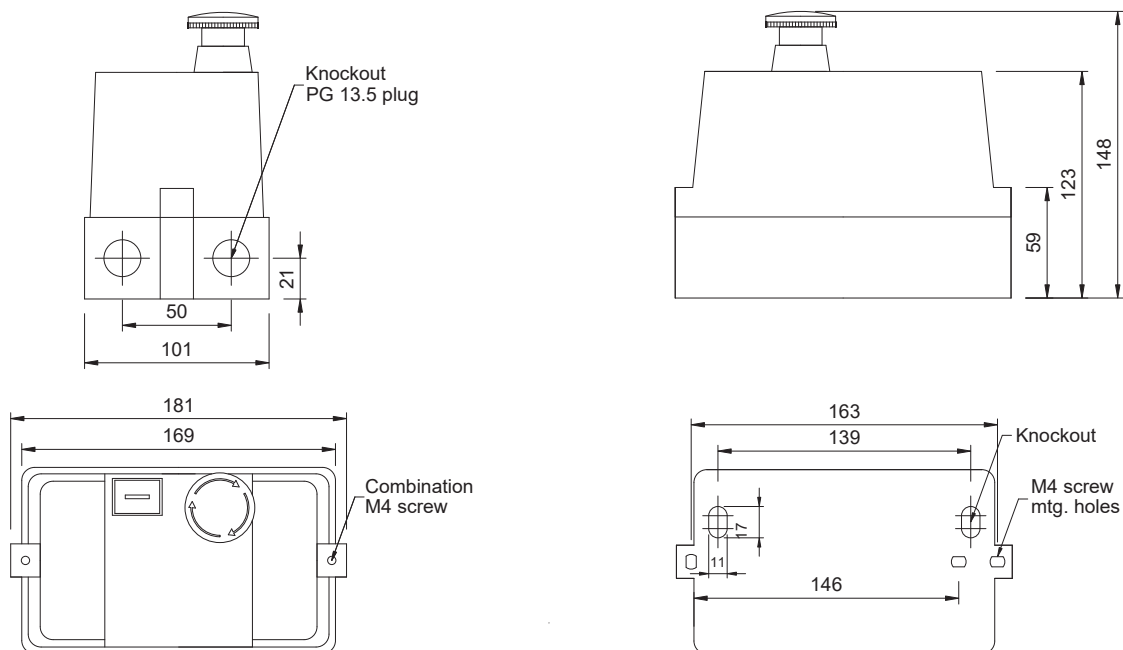


Enclosure of Motor Starters

MS1 IP65

Dimensions(mm)

MS1-09D/11D/12D/18D-R



MS1-25D/35D-R

